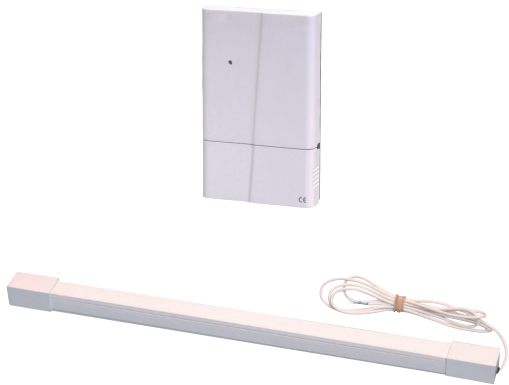


IS76 Person Detection Beacon

www.boschsecurity.com



BOSCH
Invented for life

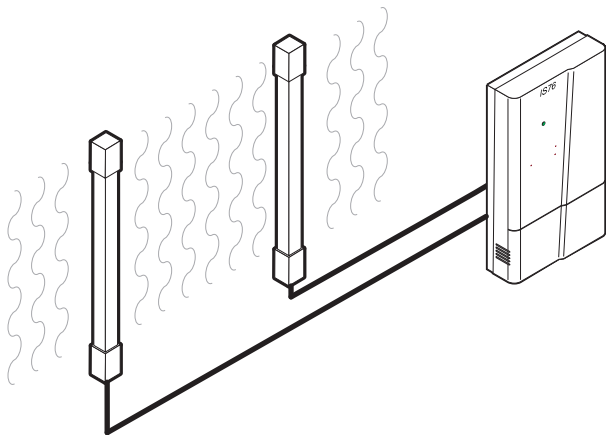


- ▶ Passage marking and efficient locating of patients
- ▶ Reliable dementia monitoring
- ▶ Guarantees fast intervention of staff
- ▶ Expandable system (1 or 2 antennas), antennas can be installed outdoors
- ▶ System operation supervision

The IS76 Person Detection Beacon is designed to allow the locating of any person wearing a radio transmitter in the nearby vicinity. Its separate Ferrite Antenna generates a coded magnetic field which can be identified by the radio transmitter. The IS76 Person Detection Beacon may be used to locate patients suffering from Dementia and eventually prevent them from leaving the area alone.

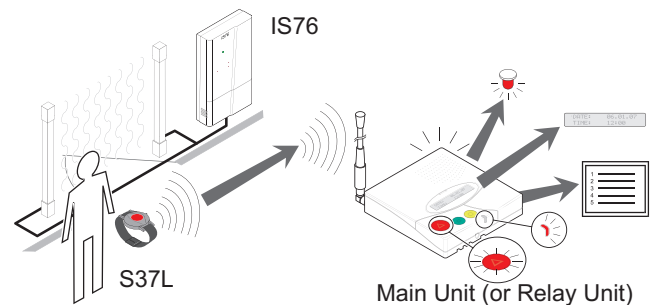
When it is not possible to realize a wire loop or if the reinforcement of the door is in metal, an IS76 Person Detection Beacon system is conveniently used. One or two IS76 Ferrite Antennas, depending on the width of the door, will permanently generate a coded magnetic field. These antennas are connected to an IS76 Beacon Controller, which will then send back an identification code to any radio transmitter in the area.

System Overview



The system consists of the IS76 Beacon Controller and one or two IS76 Ferrite Antennas.

Functions



The IS76 Person Detection Beacon is built to interact with the following devices:

- S37L Wristband Transmitter with Locating function
- NurseCall Main or Relay Unit

The S37L Wristband Transmitter with Locating function will automatically detect the IS76 Person Detection Beacon's coded magnetic field. At alarm

triggering, the S37L Wristband Transmitter sends the call for help to the NurseCall Main Unit along with its identification code as well as the position of the last passed beacon.

The information may be used to locate the patient that has triggered a call for help, or send an alarm as soon as a "Dementia" patient is going through a monitored door. When passing each IS76 Person Detection Beacon, the S37L Wristband Transmitter refreshes its actual position. Therefore, the position recorded by the S37L Wristband Transmitter is always the one of the last passed beacon.

The operation of the IS76 Person Detection Beacon is supervised. An eventual operation failure (broken wire or overload) is indicated by the front panel LED and by the opening of a "normally closed" relay contact that is accessible from the terminal block. The supervision output may be connected to an RAC-type alarm transmitter which can then forward the information to the Nursecall System.

Certifications and Approvals

R&TTE 1999/5/EC

EMC 2004/108/EC

LVD 2006/95/EC

EN 50371 (2002)

EN 55022 (2006, A1: 2007)

EN 60950-1 (2006, A11:2009)

EN 300220-2 V1.5.1

EN 301489-1 V1.8.1

EN 301489-3 V1.4.1

EN 50130-4 (1995, A1: 1998, A2: 2003)

Installation/Configuration Notes

IS76 Beacon Controller

The IS76 Beacon Controller has to be mounted indoors, in a well ventilated place. All of the wiring and configuration functions such as connection of the antennas and setting of the Location identification code can be carried out in the connection compartment. The connection compartment is accessed by taking off the lower part of the housing, even if the device is fixed on the wall.

The connection cables can be channeled towards the outside through the hole next to the terminal blocks or downwards by breaking off part of the rear housing. Connection of the power supply can be done without taking off the lower part of the housing.

IS76 Ferrite Antenna

The IS76 Ferrite Antenna can be mounted vertically or horizontally and can be placed outdoors as well as indoors. The middle of the antenna should be at a height of 1 meter from the floor, when mounted vertically.

Although the functionality of the IS76 Person Detection Beacon is not affected by the presence of metallic items, it is not recommended to fix the antenna directly against such items. In order to avoid overheating of the IS76 Beacon Controller, install the antenna at least 1.5 cm away from metallic frames or surfaces.

Parts Included

Quantity	Component
1	IS76 Beacon Controller
1	IS76 Ferrite Antenna
1	Power supply

Technical Specifications

IS76 Beacon Controller

Dimensions (H x W x D)	133 x 82 x 26 mm
Weight	200 g
Frequency	68 kHz
Power supply	Input: 100-240 VAC, 50-60 Hz, 0.8 A Output: 24 VDC, 1.25 A
Consumption	Max 400 mA (1 antenna) Max 800 mA (2 antennas)
Supervision Output Relay	Max switching power: 125 VA / 60 W Max switching voltage: 48 VDC Max switching current: 2 A
Permissible temperature	0 °C to 40 °C
Modulation bandwidth	9 – 135 kHz
Range in free field	1 – 1.3 m for one Antenna
Number of programmable positions	254

IS76 Ferrite Antenna

Dimensions (H x W x D)	600 x 30 x 30 mm
Weight	700 g
Connection cable	2 m twisted pair, extendable to 10 m

Ordering Information

IS76 Beacon Controller

Including power supply
Order number **CRS-NC-IS76-CO**

IS76 Ferrite Antenna

Order number **CRS-NC-IS76-AN**

Accessories

Power supply for IS76 Person Detection Beacon

230 VAC / 24 VDC / 1,25A

Order number **CRS-NC-PS-IS76**

Mounting Plate

Set of 10 pieces

Order number **CRS-NC-MP-N46**

Represented by:

Americas:

Bosch Security Systems, Inc.
130 Perinton Parkway
Fairport, New York, 14450, USA
Phone: +1 800 289 0096
Fax: +1 585 223 9180
security.sales@us.bosch.com
www.boschsecurity.us

Europe, Middle East, Africa:

Bosch Security Systems B.V.
P.O. Box 80002
5617 BA Eindhoven, The Netherlands
Phone: + 31 40 2577 284
Fax: +31 40 2577 330
emea.securitysystems@bosch.com
www.boschsecurity.com

Asia-Pacific:

Robert Bosch (SEA) Pte Ltd, Security
Systems
11 Bishan Street 21
Singapore 573943
Phone: +65 6258 5511
Fax: +65 6571 2698
apr.securitysystems@bosch.com
www.boschsecurity.asia

China:

Bosch (Shanghai) Security Systems Ltd.
201 Building, No. 333 Fuquan Road
North IBP
Changning District, Shanghai
200335 China
Phone +86 21 22181111
Fax: +86 21 22182398
www.boschsecurity.com.cn

America Latina:

Robert Bosch Ltda Security Systems Division
Via Anhanguera, Km 98
CEP 13065-900
Campinas, Sao Paulo, Brazil
Phone: +55 19 2103 2860
Fax: +55 19 2103 2862
al.securitysystems@bosch.com
www.boschsecurity.com